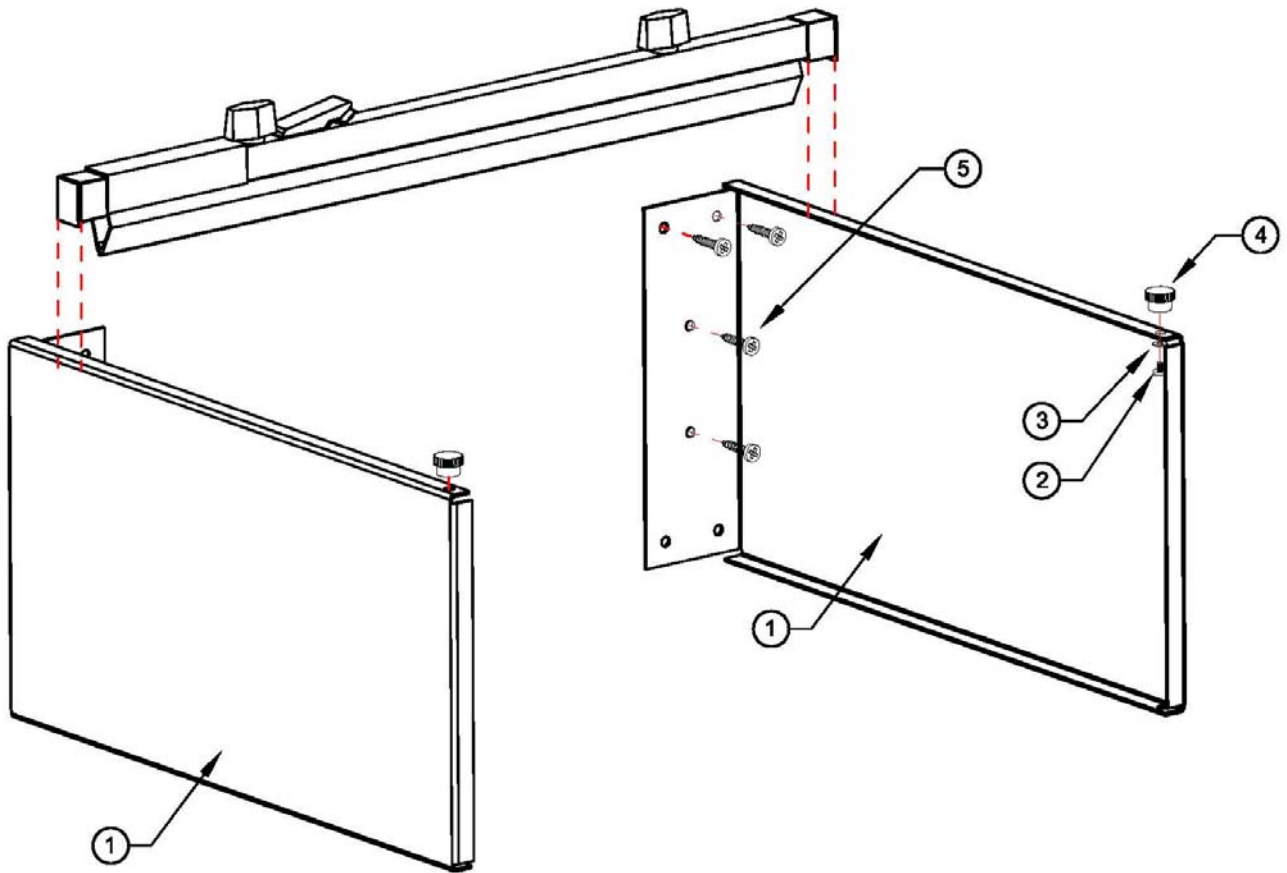
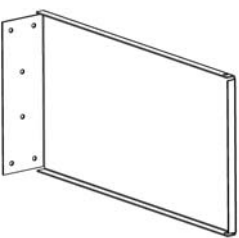






DLWC

Drop Lift Wall Rack Assembly Instructions



PARTS LIST

	Description	Qty
1	 Wall bracket	2
2	 M3X5 screw	2

Part	Description	Qty
3	 Washer	2
4	 Knob assembly	2
5	 #10X1 " screw	8

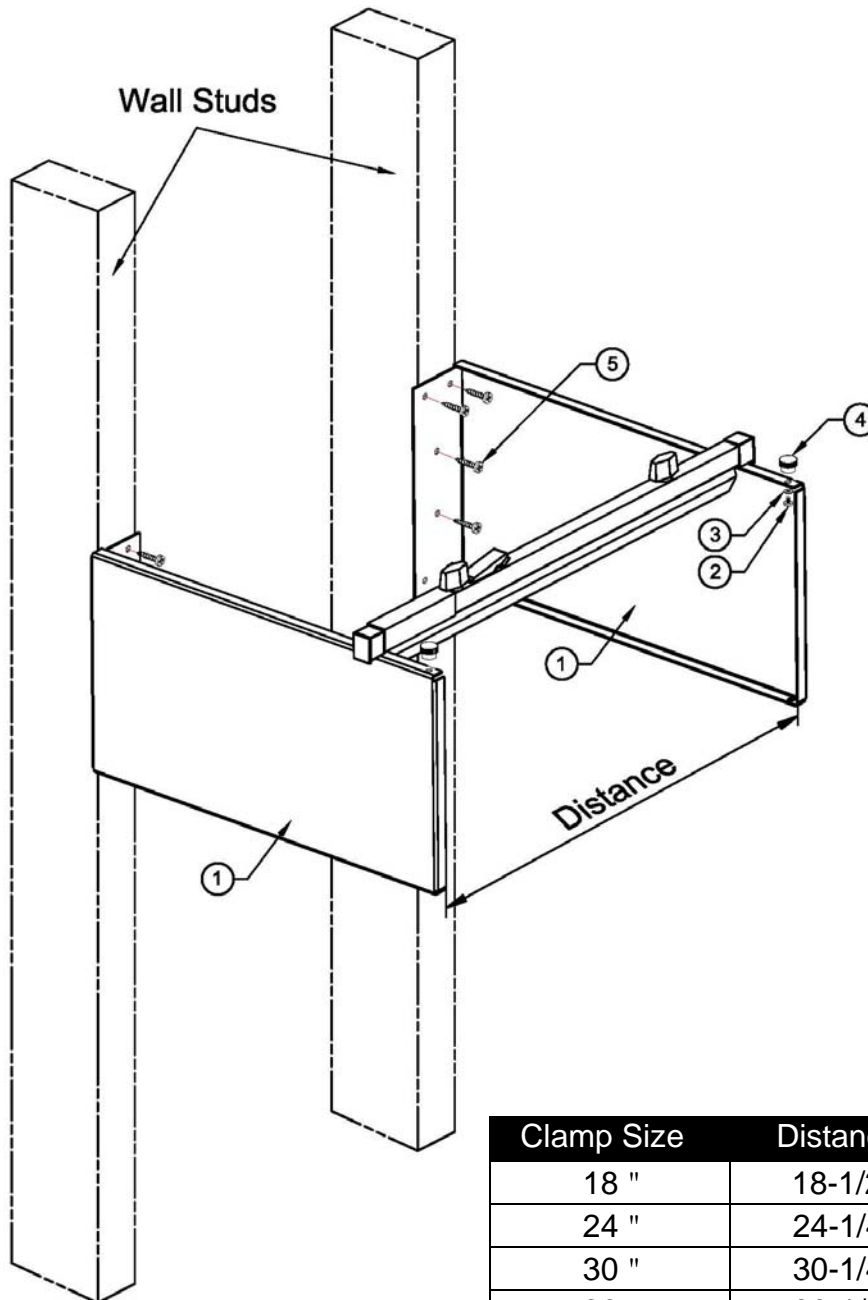
Tools required for assembly: Phillips screwdriver

DLWC

Drop Lift Wall Rack

Assembly Instructions

Installation recommended on wall studs or solid back wall surface.



Clamp Size	Distance	
18 "	18-1/2 "	47cm
24 "	24-1/4 "	61.6cm
30 "	30-1/4 "	76.5cm
36 "	36-1/4 "	91.8cm
42 "	42-1/4 "	107cm

- 1) Determine width of wall brackets based upon the width of the print clamp jaws that are being using. Add approximately 1/4 " ~1/2 " to the width of the jaws. Detail distance refer to table above. For example the spacing between the inner frames of the rack brackets would be 24-1/4 " when using 24 " clamps.
- 2) Locate wall studs and attach rack brackets (part 1) using eight (part 5) screws. If you cannot locate wall studs we suggest you attach the rack to a solid wall surface. If you cannot locate the studs or are unable to attach to a solid wall surface, we suggest that you have the rack installed by a professional using hollow wall anchors.
- 3) Attach knob assemblies (part 4) to wall brackets using screws (part 2) and washers (part 3) to keep the clamps from sliding off the brackets.